

Small Payload Handling Intelligent Robot

FANUC Robot M-20*i*B



Features

The M-20*i*B is a small material handling robot with a payload capacity of 25-35KG.

- Three models are available to meet a variety of applications:
 - **FANUC Robot M-20*i*B/25**
This is a high-speed general-purpose robot suitable for various applications, such as material handling, assembling, and deburring.
 - **FANUC Robot M-20*i*B/25C**
This is a clean room and food grade robot suitable for handling materials requiring a high degree of cleanliness, such as food or pharmaceutical materials.
 - **FANUC Robot M-20*i*B/35S**
This is a high-speed, short-arm general-purpose robot suitable for various applications, such as material handling, assembling, and deburring.
- Cables and motors are not exposed with an IP67 sealed structure adaptable to various environments.
- Cables are tightly routed through the arm with a sealed user interface and low profile connectors
- The slim arm and low profile design allows for minimal interference with peripheral devices.
- Optional advanced Intelligent functions such as *i*RVision and force sensing are available.



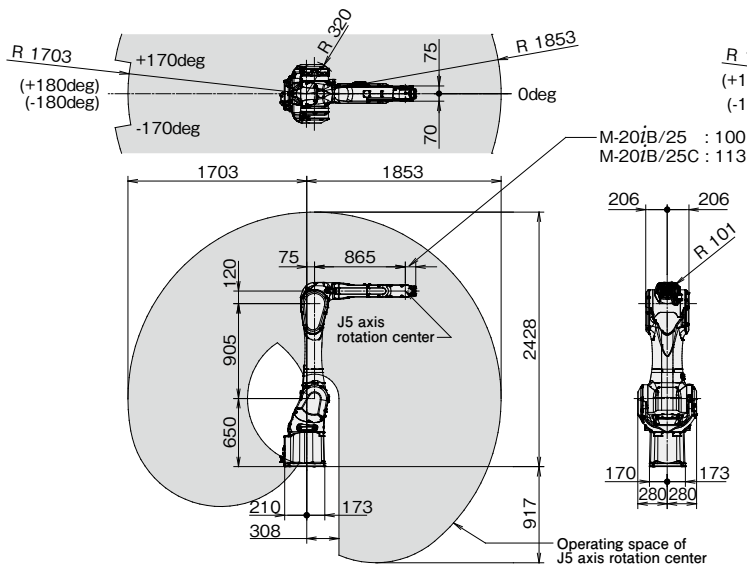
M-20*i*B/35S deburring casted parts



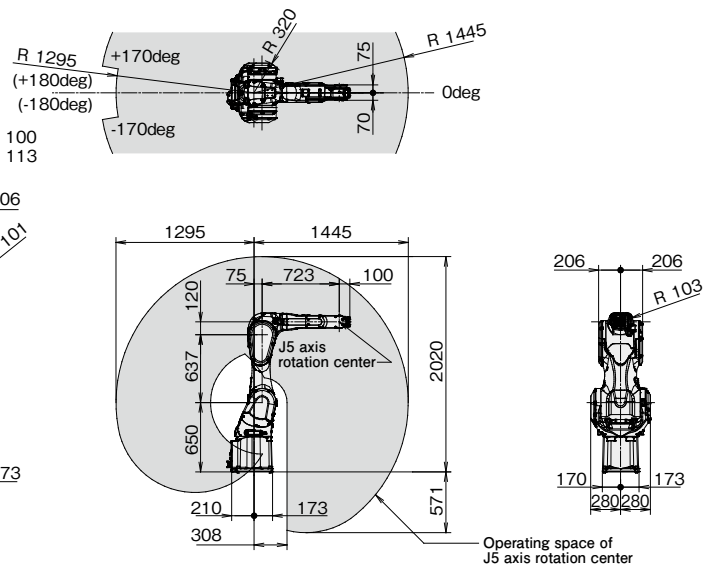
M-20*i*B/25C packing melons

Operating space

M-20iB/25, /25C



M-20iB/35S



Specifications

Model		M-20iB/25, /25C	M-20iB/35S
Type		Articulated Type	
Controlled axes		6 axes (J1, J2, J3, J4, J5, J6)	
Reach		1853 mm	1445 mm
Installation		Floor, Upside-down, Angle	
Motion range (Maximum speed) (Note 1, 2)	J1 axis rotation	340°/360° (option) (205°/s) 5.93 rad / 6.28 rad (option) (3.58 rad/s)	
	J2 axis rotation	240° (205°/s) 4.19 rad (3.58 rad/s)	
	J3 axis rotation	303° (260°/s) 5.29 rad (4.54 rad/s)	301.5° (260°/s) 5.26 rad (4.54 rad/s)
	J4 axis wrist rotation	400° (415°/s) 6.98 rad (7.24 rad/s)	
	J5 axis wrist swing	290° (415°/s) 5.06 rad (7.24 rad/s)	260° (415°/s) 4.53 rad (7.24 rad/s)
J6 axis wrist rotation	540° (880°/s) 9.42 rad (15.36 rad/s)		
Max. load capacity at wrist		25 kg	35 kg
Allowable load moment at wrist	J4 axis	51.0 N·m	
	J5 axis	51.0 N·m	
	J6 axis	31.0 N·m	
Allowable load inertia at wrist	J4 axis	2.20 kg·m ²	
	J5 axis	2.20 kg·m ²	
	J6 axis	1.20 kg·m ²	
Repeatability (Note 3)		± 0.02 mm	
Mass (Note 4)		210 kg	205 kg
Installation environment		Ambient temperature : 0 to 45°C Ambient humidity : Normally 75 %RH or less (No dew nor frost allowed) Short term Max.95 %RH or less (within one month) Vibration acceleration : 4.9m/s ² (0.5G) or less	

Note 1) In case of angle mounting, J1 and J2 axis motion range are restricted.

Note 2) During short distance motions, the axis speed may not reach the maximum value stated.

Note 3) Compliant with ISO9283.

Note 4) Without controller.

Note 5) White paint, antirust surface and food grade grease are applied to the clean type.

FANUC

FANUC AMERICA CORPORATION
3900 WEST HAMLIN ROAD
ROCHESTER HILLS MI 48309-3253



MARKETING@FANUCAMERICA.COM

FANUCAMERICA.COM 888-FANUC-US