

P-700iB



Max. load capacity
at wrist: 15 kg



Max. reach:
3200 mm

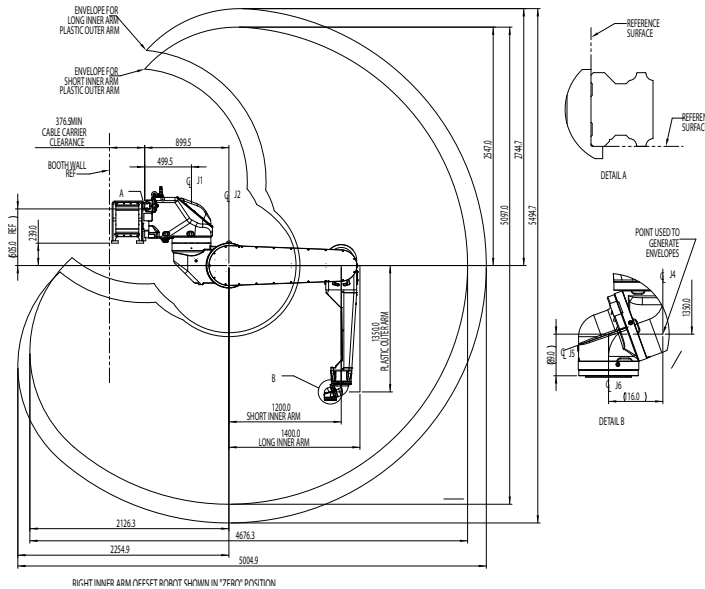
FANUC

Robot			Max. load capacity at wrist (kg)	Reach (mm)	Controlled axes	Repeatability (mm)	Mechanical weight (kg) Short IA/Long IA	Motion range (°)						(m)		Maximum speed (°/s)							Allowable load moment at wrist (Nm) Allowable load inertia at wrist (kg m ²)			Input power source (VAC) (50-60 HZ)
Series	Version	Arm Material						J1	J2	J3	J4	J5	J6	J7	J1	J2	J3	J4	J5	J6	J7	J4	J5	J6		
																									J4	
P-700	iB	Plastic	15	3150	7	± 0.10	658 (S) 665 (L)	+91.5 -90	+130 -85	+228 -138	±400	±400	±400	4.5-15	100	125	120	200	200	200	1500	68 3.2	57 2.2	11.5 .35	200-550 +10/-15%	
P-700	iB	Metal	15	3200	7	± 0.10	659 (S) 667 (L)	+91.5 -90	+130 -85	+228 -138	±400	±400	±400	4.5-15	100	125	160	375	430	545	1500	65 3.0	55 2.1	11.5 .35	200-550 +10/-15%	

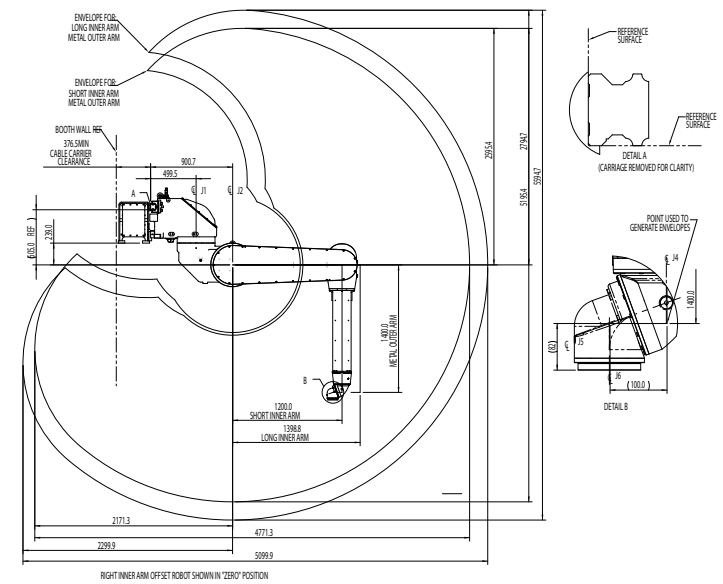
P-700iB Paint robot



Plastic Arm



Metal Arm



P-700iB